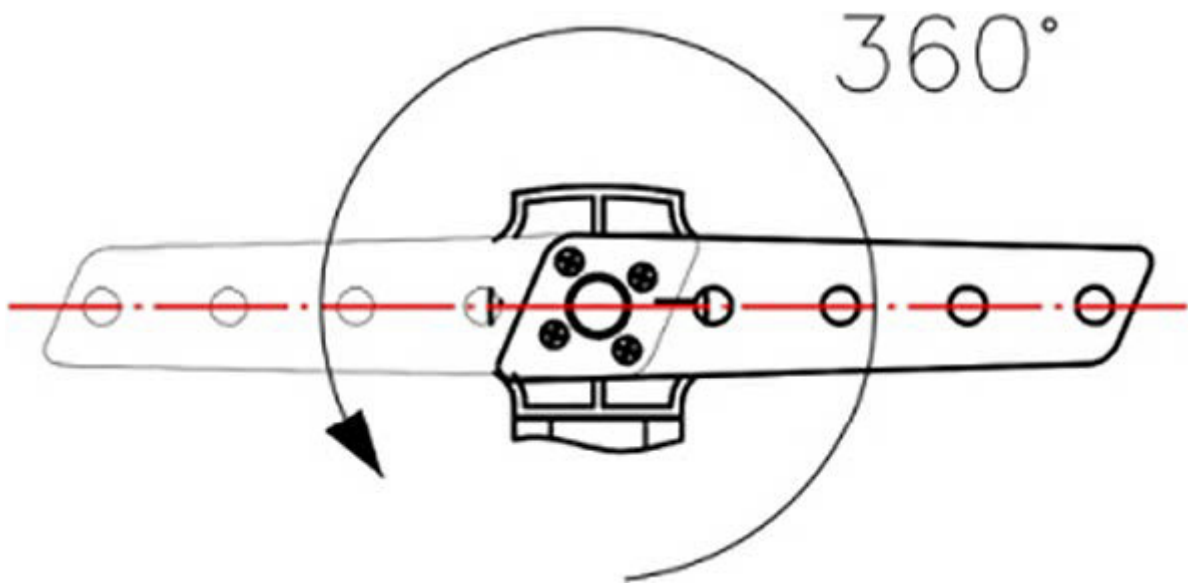
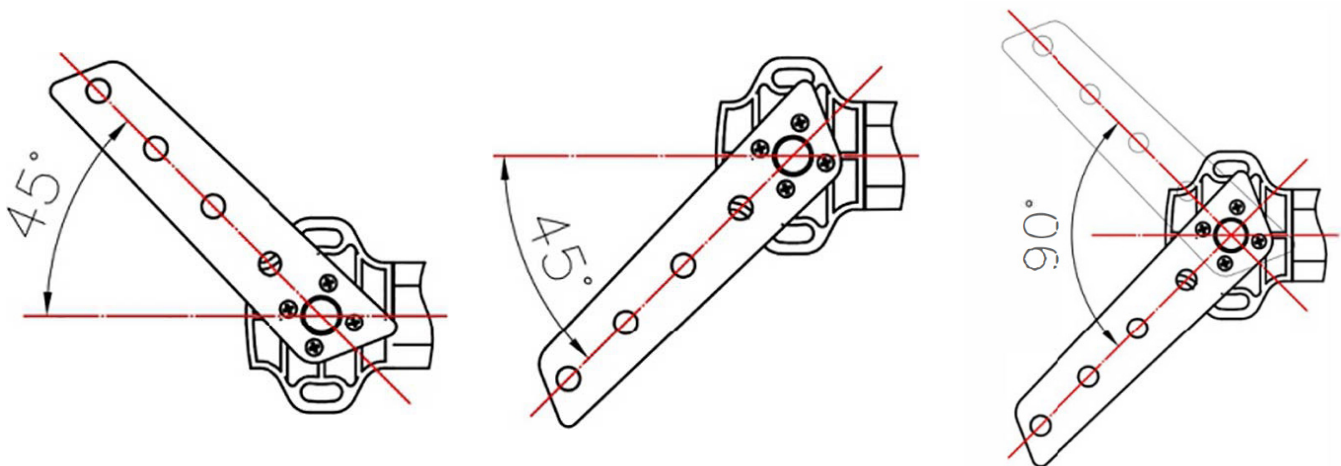


AIRTECH RIDE HEIGHT SENSOR

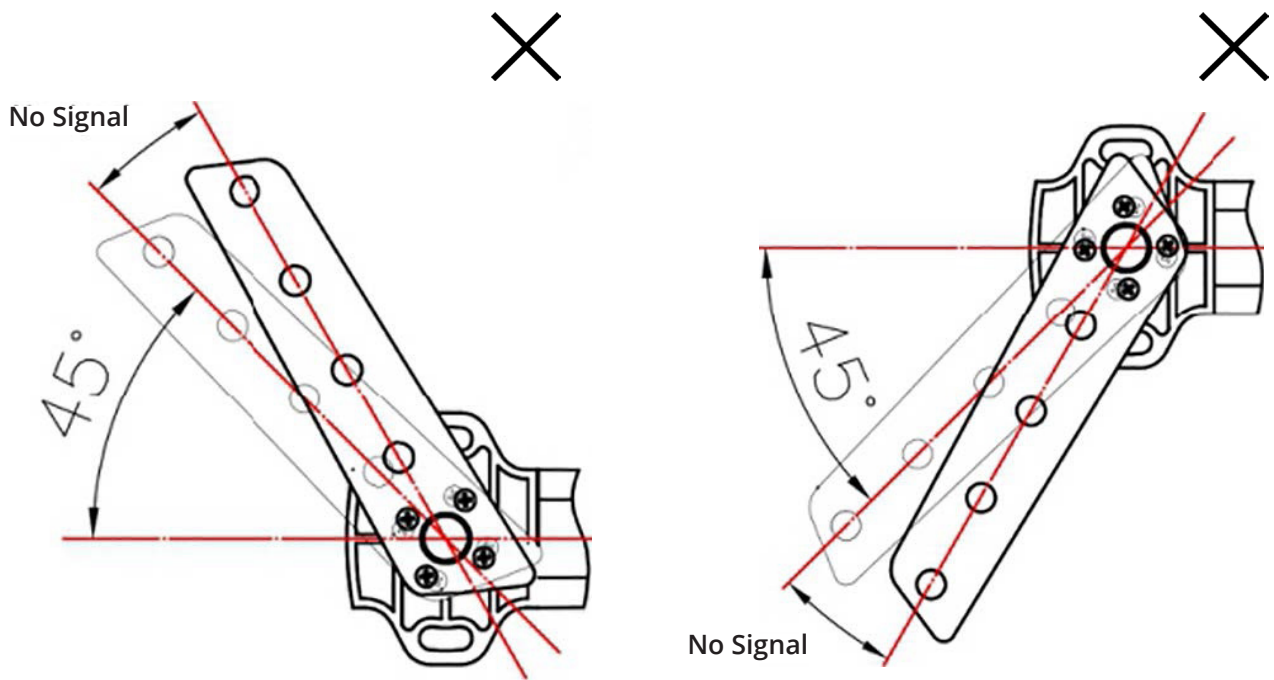
Before starting your installation, please read these instructions completely. Check that all parts are included and not damaged from shipping. Failure to read these instructions can result in damage to the product and or your vehicle. Professional Installation is recommended.



For this height sensor, the movable range of motion of the arm is 360 degrees. The output signal range of motion is 90 degrees and although the arm does spin 360 it will only register in a 90-degree arc. You need to be especially careful about the height and low position of the arm after installation because it might operate outside the 90-degree range. This can lead to the system failing to input an accurate signal and affect the readings on the controller, reducing the accuracy of the height measurement.



For proper operation, the angle should not exceed 45 degrees from the center on the up or down swing of the arm. You must adjust the height of the suspension within these angle limits by adjusting the attached connecting arm's length or repositioning the mounting arm to the vehicle so that the range of motion from all the way up and all the way down stays within the 90 degree sweep.



If the rotatable bar is out of the range of angle limits, the height of the car body may be inaccurate.

NEED HELP?

Our representatives are here to help you with any questions concerning the operation of the product, installation, available accessories or any other related issues. Please call us at +1(480)829-8100 or visit our website at <https://ksportusa.com>.